

INTRODUCING THE 24DT-SP-LT THERMOMETER & LIGHT SWITCH FOR WALK-INS



- ✓ LED Temp Display with °F/°C switch
- ✓ 1 second, 1 minute or 3 minute display update
- ✓ Light switch (15A) and SST J-Box Mount Cover
- ✓ 120V Direct Power
- ✓ Optional Battery back-up
- ✓ Save on installation costs



Now you can combine your Light Switch and Digital Thermometer in one easy to install package. The waterproof "elbow" engaged illuminated light switch allows operators to turn on the walk-in light easily, even when their hands are full. The industrial duty light switch is rated at 15A and includes optional gasket for outdoor use.

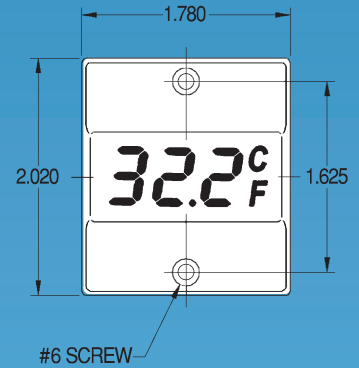
The continuation of the **evolution** in Digital Thermometry from Weiss Instruments, the leader in Temperature Measurement and Control.

Cat. No.	Description	Power	°F/°C	Update
24DT	0=Thermometer only	0=12Vac./DC 4=110Vac. 5=230Vac.	F=°F -40/230°F C=°C -40/110°C	0=1 sec. 1=1 min. 3=3 min.
Ex: 24DT-04F1	0 4 F 1 0 - 110V - °F - 1 min.			
Cat. No.	Description	Power	°F/°C	Update
24DT	S=Switchplate	0=12Vac./DC 4=110Vac. 5=230Vac.	F=°F -40/230°F C=°C -40/110°C	0=1 sec. 1=1 min. 3=3 min.
Ex: 24DT-S4F1	S 4 F 1 S - 110V - °F - 1 min.			
Cat. No.	Description	Power	°F/°C	Update
24DT	L=Switchplate w/ Lighted Switch	0=12Vac./DC 4=110Vac. 5=230Vac.	F=°F -40/230°F C=°C -40/110°C	0=1 sec. 1=1 min. 3=3 min.
Ex: 24DT-L4F1	L 4 F 1 L - 110V - °F - 1 min.			

WEISS INSTRUMENTS INTRODUCES THE 24DT THERMOMETER



- ✓ LED Temp Display with °F/°C switch
- ✓ 1 second, 1 minute or 3 minute update
- ✓ Optional light switch and SST cover
- ✓ 120V Direct Power
- ✓ Optional battery back-up
- ✓ Popular back mounting
- ✓ Low Cost



First there was the *Ashcroft* 2100E, then came the *CPI* TI-6000 followed by the *Miljoco* ED175-2403 "Little Red". Now the evolution is now complete with the introduction of the Weiss 24DT. The "smart thermometer" features leave the competition in the dark ages. Features such as disconnectable sensor power, smart updates, °F/°C switchable and no more transformers, make the 24DT the new choice in LED temperature indicators.

American Heritage Dictionary defines: evolution - The gradual development of something into a more complex or better form.

Part Numbers				
Cat. No.	Description	Power	°F / °C	Update
24DT	0=Thermometer	0=12Vac./DC 4=120Vac. 5=230Vac.	F= °F -40/230 °F C=°C -40/110 °C	0=1 Second 1=1 Minute 3=3 Minute
Ex: 24DT-04F1 – 0 4 F 1				
<div style="display: flex; align-items: center; gap: 10px;"> 0 – 120V – °F – 1 Min. </div>				
Complete with 5 Ft. Sensor				



WEISS INSTRUMENTS, INC.

905 Waverly Ave., Holtsville, New York 11742

631-207-1200 • Fax 631.207.0900 • www.weissinstruments.com

Old World Craftsmanship . . . NEW WORLD TECHNOLOGY

Celebrating 125 Years • 1882 – 2007