



HOLTSVILLE, NEW YORK 11742
 631-207-1200 • FAX: 631.207.0900
 www.weissinstruments.com

Project Name: _____

Location: _____

IDN# _____ Quantity: _____

Catalog# _____

CAT NO. **XJP60D**

I/O Probe Monitoring Modules

Record up to 6 temperatures (PSI or %RH)

The XJP60D is a network module that can accept up to 6 NTC Temperature inputs or 4...20mA and 0/10V analog inputs from Pressure, Humidity or other inputs. The unit transfers the data to an XWEB over a RS485 Network.

The serial communication enables the XJP60D to connect to XWEB Monitoring Systems and other open systems using ModBus-RTU.

The unit includes 3 Digital Inputs typically used for Door Alarms using a magnetic door switch, or a CT to monitor other events. Alarm setpoints with delays can be assigned to each probe.

Applications include Monitoring of:

- Walk-in Coolers and Freezers
- Reach-in's
- Food Warming Cabinets
- A/C and Outdoor temps
- Pressure and Humidity
- Level or flow (with any 4...20mA or 0/10V output)

Probe Options:

- 18NB-NTC-1.5m
1/4"x1/8" Nickle Plated Brass 5Ft.
- XH10P
4...20mA output 10-90% RH
- PP11 -7/160 psi
- PP30 0/435 psi
4...20mA output



MODEL RC

APPROVALS:

DATE:

MODEL XJP60D OVERVIEW

The Monitor has three status LED's: Power, Rx/Tx and Alarm. The Monitor has either 6 NTC probes or 6 4...20mA or 0/10V inputs and 3 Digital inputs. Alarm Setpoints with delays can be assigned to each probe. It shall have a RS485 Connection.

MOUNTING

The product is 4DIN RAIL or wall mounted in a DinBox and shall have IP65 protection from the front.

SENSORS

The product has up to 6 NTC Thermistor temperature probes, range of -58/230°F, which can be extended up to 300ft. using standard thermostat wire or 6 4...20mA or 0/10V inputs.

POWER

The product shall be powered by 24Vac and use a class 2 cULus transformer.

INPUTS

The control shall have 3 Digital inputs (open/closed circuit) that is typically used with a magnetic door switch to indicate door openings or a CT to record events such as defrost or fan failure.

OUTPUTS

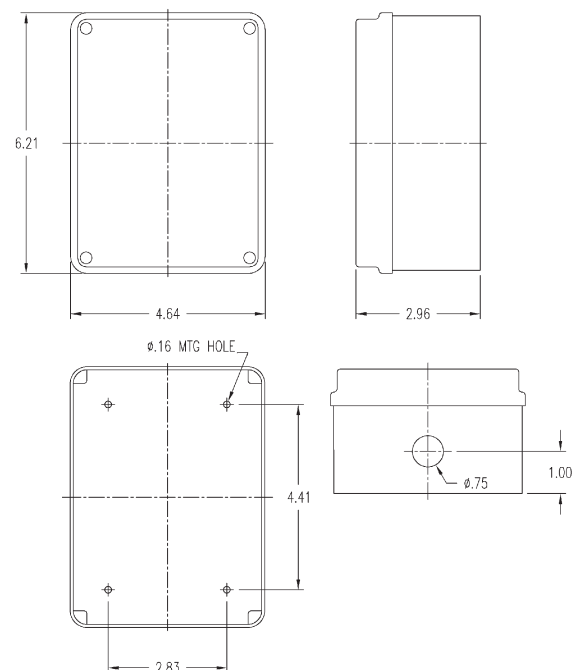
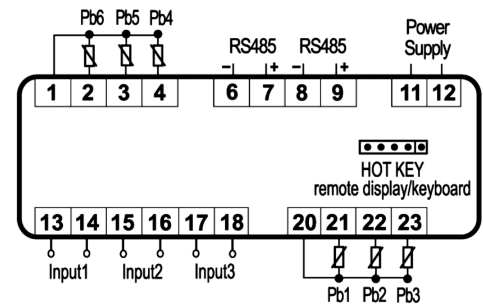
The XJP60D has a RS485 Serial communications output to be connected to a XWEB System.

COMMUNICATIONS

The Control shall have a RS485 Serial Port. The two way communication protocol shall be MOD-BUS-RTU. The Module shall have a settable serial address from 1 to 247. MOD-BUS Comments, Registers and Hex Codes are free and open, and are available on request.

PROGRAMMING

The control is pre-programmed and pre-addressed for NTC temperature recording applications. The temperature shall be recorded every 15 minutes. There shall be 2 levels of control parameters that are password protected. A Hot Key flash memory device can upload or download a program to the unit. The program shall remain in internal memory without power.



SPECIFICATIONS SUBJECT TO CHANGE WITHOUT NOTICE

WARRANTY
ONE YEAR



HOLTSVILLE, NEW YORK 11742
 631-207-1200 • FAX: 631.207.0900
 www.weissinstruments.com

Project Name: _____

Location: _____

IDN# _____ Quantity: _____

Catalog# _____

CAT NO. **XJR40D**

4 Zone Lighting Controller

Manage lights on the Internet via the XWEB

The XJR40D is a network module that can manage up to 4 lighting zones. It features four on/off keys and LED indicators on the front. Each output can be controlled with 4 corresponding digital inputs like a remote switch, occupancy or light sensor for sunrise and sunset operation. In addition the XJR40D is connected to an XWEB LAN and receives on/off signals from the Scheduler Function via the RS485 Serial connection. 24/7/365 control is easily set-up with the XWEB scheduler in order to reduce energy. The unit transfers the data to an XWEB over a RS485 Network.

An optical light sensor can also be added to detect when lights are out and initiate an alarm via the XWEB to notify the right personnel to replace/repair lights.

The XJR40D can be wall of Din Mounted or placed in a Din Enclosure.

The serial communication enables the XJR40D to connect to XWEB Monitoring Systems and other open systems using ModBus-RTU.

Applications include Control of:

- 4 zones of Lighting
- Sprinkler Systems
- Occupancy/Security
- On/Off of Loads via Schedule
- Detect when Lights are out

Options

- Occupancy Sensor
- Photo Electric Sensor
- Remote on/off



LIGHT BANK / 4
4 Zone Controller

APPROVALS:

DATE:

OVERVIEW

The Control shall have four status LED indicators correspondent to it's four manual key switched in addition to a Power indicator LED. The unit has 4 Digital Inputs (voltage free open/Closed circuit) that can control each of the 4 8A relay outputs. It shall have an RS485 Connection.

MOUNTING

The product is 4DIN RAIL or wall mounted in a DinBox and shall have IP65 protection from the front.

SENSOR

The product shall have up to 4 Digital Input sensors such as a photoelectric eye, occupancy sensor or remote on/off or any other open or closed Digital signal.

POWER

The product shall be powered by 120Vac or 230Vac

INPUTS

The control shall have 4 Digital input (open/closed circuit) that is typically used with photoelectric sensors for sunrise/sunset operation or occupancy sensors.

OUTPUTS

The XJR40D has 4 8A SPDT relay outputs.

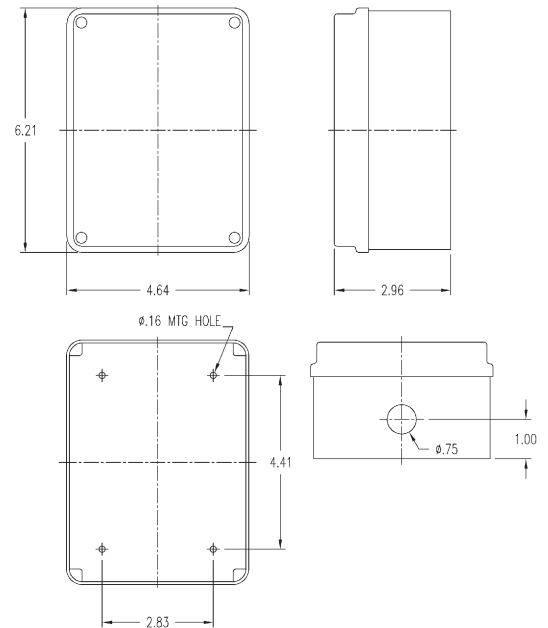
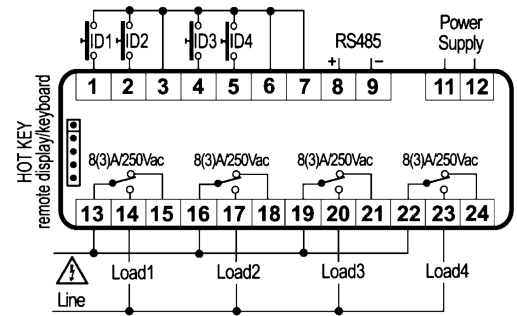
COMMUNICATIONS

The Control shall have an RS485 Serial port. The two way communication protocol shall be MOD-BUS-RTU. The Module shall have a settable 4 serial address's from 1 to 247. MOD-BUS Comments, Registers and Hex Codes are free and open, are available on request.

PROGRAMMING

The control is pre-programmed and pre-addressed for 4 zone lighting. There shall be 2 levels of control parameters that are password protected. A Hot Key flash memory device can upload or download a program to the unit. The program shall remain in internal memory without power.

XJR40D



SPECIFICATIONS SUBJECT TO CHANGE WITHOUT NOTICE

WARRANTY
ONE YEAR