

WEISS INSTRUMENTS

Light Powered Digital Process Pressure Gauges

- IP65 Weatherproof Housing
- ASME B40.7 Conformance
- User Selector Functions
- 4-20 MA Output
- <10 Lux Rating
- Large Display



Advanced Technology in Pressure Measurement

The wide acceptance and success of Weiss Light Powered Instruments is attributed to their high level of quality and reliability as well as an understanding about the impractical nature of changing batteries in industrial applications.

©Solar MetriX is a registered trademark of Weiss Instruments, Inc.



LIGHT POWER
GREEN POWER



SPECIFICATIONS

Case: 4 1/2" Black Glass Reinforced Thermo Plastic (PBTP) Solid Front Construction, Blow Out Back Safety Design, Weatherproof IP65

Window: Acrylic

Sensor: Lux Capacitor™ (Patent Pending)

Wetted Materials: Phosphor Bronze/Brass (DUGY1)
316SS (DUGY2)

Connection: DUGY1 1/4" NPT Lower
DUGY2 1/4" or 1/2" NPT Lower or Lower Back Connected

Ranges: Vacuum to 1,000 psi (See Range Table)

Accuracy: 0.5% Full Scale ASME 40.7 AA
(.25% available consult factory)

Ambient Operating: -15/150°F (-25/65°C)

DISPLAY

Type: LCD

Lux Rating: <10 (only one foot-candle)

Resolution: 1/4% First Half, 1/2% Second Half

Digits: (4) 5/8" High

Update: One second

Two seconds (under 20 Lux)

USER SELECTOR FUNCTIONS

Left Units Select from 4 units of measure
PSI, kPa, KG/CM2 or Bar with
corresponding Vacuum

Center Zero Adjustment ±4 increments

Right Avg. Set reading in average of
1,2,4,8 seconds

NOTE: Over pressure rating = 2X FS Range

Phosphor Bronze / Brass Socket 1/4" NPT		316SS Sensor / 316SS Socket 1/4" NPT		316SS Sensor / 316SS Socket 1/2" NPT	
Range	Cat. No.	Range	Cat. No.	Range	Cat. No.
15 psi*	DUGY1-0015-4L	15 psi*	DUGY2-0015-4L	15 psi*	DUGY2-0015-2L
60 psi*	DUGY1-0060-4L	60 psi*	DUGY2-0060-4L	60 psi*	DUGY2-0060-2L
100 psi*	DUGY1-0100-4L	100 psi*	DUGY2-0100-4L	100 psi*	DUGY2-0100-2L
200 psi	DUGY1-0200-4L	200 psi	DUGY2-0200-4L	200 psi	DUGY2-0200-2L
400 psi	DUGY1-0400-4L	400 psi	DUGY2-0400-4L	400 psi	DUGY2-0400-2L
1000 psi	DUGY1-1000-4L	1000 psi	DUGY2-1000-4L	1000 psi	DUGY2-1000-2L

*These Ranges (Items also indicate Vacuum)

HOW TO ORDER – DUGY1 (Bronze)

DUGY2 (316 S.S.) - Range Code - NPT Size - Location - Options

Range	Code	Size	Code	Code
Vac to 15 psi*	0015	1/4 Lower	4L	SG
Vac to 60 psi*	0060	1/2 Lower	2L	SL
Vac to 100 psi*	0100	1/4 Back	4B	FM
0-200 psi	0200	1/2 Back	2B	T
0-400 psi	0400			
0-1000psi	1000			

EX: DUGY2-0060-4L
EX: DUGY1-0100-4L-T

OPTIONS

SG-Safety Glass*
SL-Selector Lock-out
(No access to settings)
FM-Include Flush
Mounting Ring
T - 4-20 MA Output

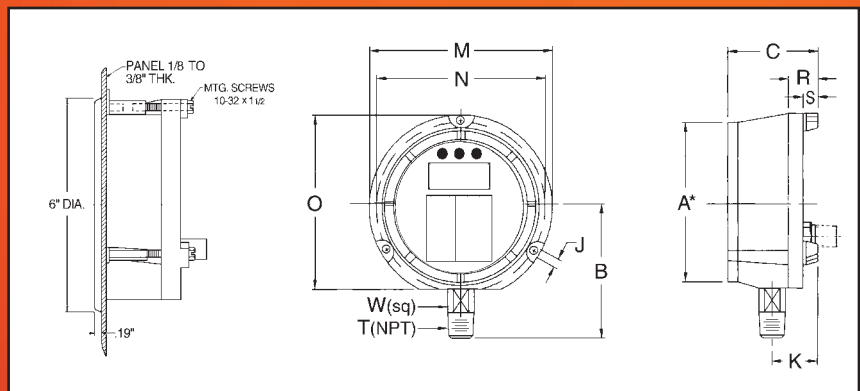
*No Selector Access

Digital Ranges

Vacuum	psi	kPa	KG/CM2	Bar
30" HG*	15	100	1	1
30" HG*	60	400	4	4
30" HG*	100	700	7	7
–	200	1400	14	14
–	400	2800	28	28
–	1000	7000	70	70

*Metric Reads -100 kPa 76 CM/HG -1 Bar

SMX-6/10



	A*	B	C	J	K	M	N	O	R	S	T _{NPT}	W _{sq}
mm	114	103 ¹	82	6.0	38	148	136.5	141	25	12.5	–	22
in	4.5	4.06 ¹	3.23	0.24	1.505	5.83	5.37	5.55	0.98	0.49	1/2"	0.87

A* - Nominal Size. 1- Gauges with 1/4" NPT connection – dimension changes to 97mm (3.81 in.).