

WEISS INSTRUMENTS

Light Powered Digital Process Pressure Gauges

- IP65 Weatherproof Housing
- ASME B40.7 Conformance
- User Selector Functions
- 4-20 MA Output
- <10 Lux Rating
- Large Display



Advanced Technology in Pressure Measurement

The wide acceptance and success of Weiss Light Powered Instruments is attributed to their high level of quality and reliability as well as an understanding about the impractical nature of changing batteries in industrial applications.

©Solar MetriX is a registered trademark of Weiss Instruments, Inc.



LIGHT POWER
GREEN POWER



SPECIFICATIONS

Case: 4 1/2" Black Glass Reinforced Thermo Plastic (PBTP) Solid Front Construction, Blow Out Back Safety Design, Weatherproof IP65

Window: Acrylic

Sensor: Lux Capacitor™ (Patent Pending)

Wetted Materials: Phosphor Bronze/Brass (DUGY1)
316SS (DUGY2)

Connection: DUGY1 1/4" NPT Lower
DUGY2 1/4" or 1/2" NPT Lower or Lower Back Connected

Ranges: Vacuum to 1,000 psi (See Range Table)

Accuracy: 0.5% Full Scale ASME 40.7 AA
(.25% available consult factory)

Ambient Operating: -15/150°F (-25/65°C)

DISPLAY

Type: LCD

Lux Rating: <10 (only one foot-candle)

Resolution: 1/4% First Half, 1/2% Second Half

Digits: (4) 5/8" High

Update: One second

Two seconds (under 20 Lux)

USER SELECTOR FUNCTIONS

Left Units Select from 4 units of measure
PSI, kPa, KG/CM2 or Bar with
corresponding Vacuum

Center Zero Adjustment ±4 increments

Right Avg. Set reading in average of
1,2,4,8 seconds

NOTE: Over pressure rating = 2X FS Range

| Phosphor Bronze / Brass Socket 1/4" NPT | | 316SS Sensor / 316SS Socket 1/4" NPT | | 316SS Sensor / 316SS Socket 1/2" NPT | |
|---|---------------|--------------------------------------|---------------|--------------------------------------|---------------|
| Range | Cat. No. | Range | Cat. No. | Range | Cat. No. |
| 15 psi* | DUGY1-0015-4L | 15 psi* | DUGY2-0015-4L | 15 psi* | DUGY2-0015-2L |
| 60 psi* | DUGY1-0060-4L | 60 psi* | DUGY2-0060-4L | 60 psi* | DUGY2-0060-2L |
| 100 psi* | DUGY1-0100-4L | 100 psi* | DUGY2-0100-4L | 100 psi* | DUGY2-0100-2L |
| 200 psi | DUGY1-0200-4L | 200 psi | DUGY2-0200-4L | 200 psi | DUGY2-0200-2L |
| 400 psi | DUGY1-0400-4L | 400 psi | DUGY2-0400-4L | 400 psi | DUGY2-0400-2L |
| 1000 psi | DUGY1-1000-4L | 1000 psi | DUGY2-1000-4L | 1000 psi | DUGY2-1000-2L |

*These Ranges (Items also indicate Vacuum)

HOW TO ORDER – DUGY1 (Bronze)

DUGY2 (316 S.S.) - Range Code - NPT Size - Location - Options

| Range | Code | Size | Code | Code |
|-----------------|------|-----------|------|------|
| Vac to 15 psi* | 0015 | 1/4 Lower | 4L | SG |
| Vac to 60 psi* | 0060 | 1/2 Lower | 2L | SL |
| Vac to 100 psi* | 0100 | 1/4 Back | 4B | FM |
| 0-200 psi | 0200 | 1/2 Back | 2B | T |
| 0-400 psi | 0400 | | | |
| 0-1000psi | 1000 | | | |

EX: DUGY2-0060-4L
EX: DUGY1-0100-4L-T

OPTIONS

SG-Safety Glass*
SL-Selector Lock-out
(No access to settings)
FM-Include Flush
Mounting Ring
T - 4-20 MA Output

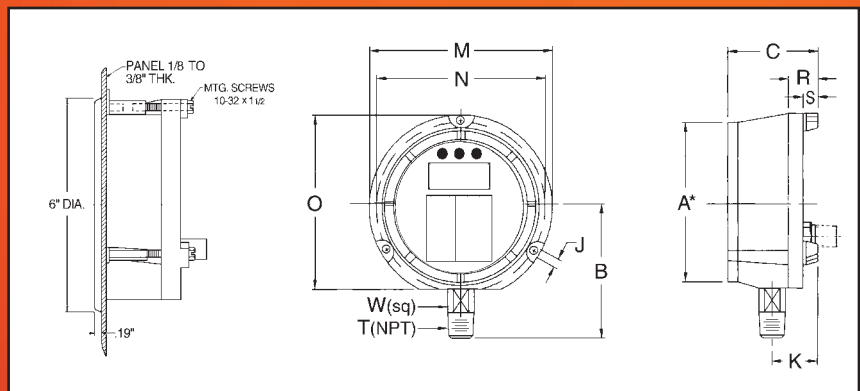
*No Selector Access

Digital Ranges

| Vacuum | psi | kPa | KG/CM2 | Bar |
|---------|------|------|--------|-----|
| 30" HG* | 15 | 100 | 1 | 1 |
| 30" HG* | 60 | 400 | 4 | 4 |
| 30" HG* | 100 | 700 | 7 | 7 |
| – | 200 | 1400 | 14 | 14 |
| – | 400 | 2800 | 28 | 28 |
| – | 1000 | 7000 | 70 | 70 |

*Metric Reads -100 kPa 76 CM/HG -1 Bar

SMX-6/10



| | A* | B | C | J | K | M | N | O | R | S | T _{NPT} | W _{sq} |
|----|-----|-------------------|------|------|-------|------|-------|------|------|------|------------------|-----------------|
| mm | 114 | 103 ¹ | 82 | 6.0 | 38 | 148 | 136.5 | 141 | 25 | 12.5 | – | 22 |
| in | 4.5 | 4.06 ¹ | 3.23 | 0.24 | 1.505 | 5.83 | 5.37 | 5.55 | 0.98 | 0.49 | 1/2" | 0.87 |

A* - Nominal Size. 1- Gauges with 1/4" NPT connection – dimension changes to 97mm (3.81 in.).