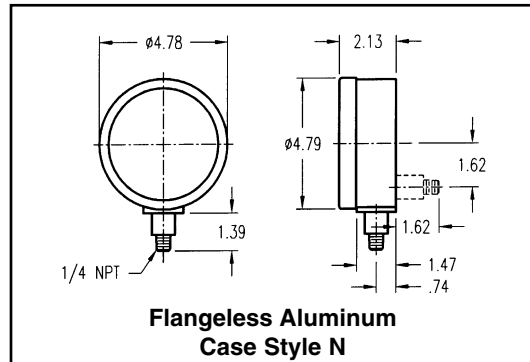
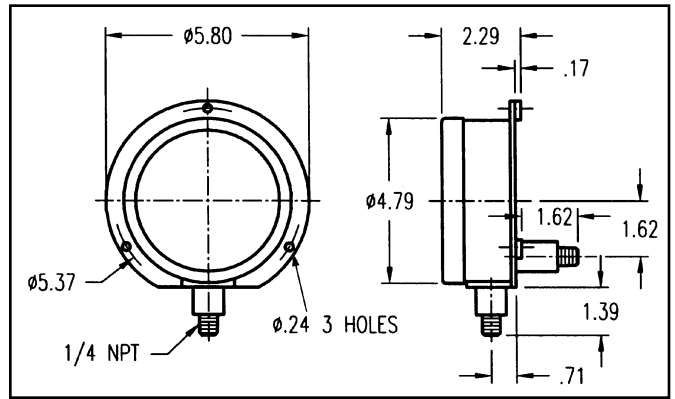


**DIAL** - White Aluminum, Black Markings  
**WINDOW** - Glass  
**POINTER** - Black Aluminum, Micrometer Adjustable  
**SOCKET** - 316 S.S.  
**BOURDON TUBE** - 316 S.S.  
**CONNECTING JOINTS** - Welded  
**MOVEMENT** - Bushed Stainless Steel Rotary  
**ACCURACY** - 0.5% ASME B40.1 Grade 2A  
**CONNECTIONS** - 1/4" or 1/2" NPT, Lower or Lower Back  
**FULL CONFORMANCE FED. SPEC GG-G-76**

**Back Flange Aluminum - Case Style B**



QTY.	CAT. NO.	DIAL DIA.	CASE STYLE	RANGE	TAG
	4UG-2	4 1/2"			
	4UG-2	4 1/2"			
	4UG-2	4 1/2"			
	4UG-2	4 1/2"			

PRESSURE			COMPOUND		
RANGE	GRADUATIONS	FIG. INTERVAL	RANGE	GRADUATIONS	FIG. INTERVAL
0-15	0.1	1	30-0-15	0.5" Hg.-0.2p	5" Hg.-3p
0-30	0.2	5	30-0-30	1" Hg.-0.5p	10" Hg.-5p
0-60	0.5	5	30-0-60	1" Hg.-1p	10" Hg.-10p
0-100	1	10	30-0-100	2" Hg.-1p	10" Hg.-10p
0-160	1	20	30-0-150	5" Hg.-2p	10" Hg.-20p
0-200	2	20	30-0-300	5" Hg.-2p	30" Hg.-25p
0-300	2	50	<b>VACUUM</b>		
0-400	5	50	30"-0	0.2" In. Hg.	5" In. Hg.
0-600	5	50			

CUSTOMER \_\_\_\_\_  
 PROJECT \_\_\_\_\_  
 ENGINEER \_\_\_\_\_  
 PRO or P.O. NO. \_\_\_\_\_



**WEISS INSTRUMENTS, INC.**  
 HOLTSMILLE, NEW YORK 11742

DESCRIPTION:  
**4 1/2" Industrial Pressure Gauge  
 Series UG-2**

DRAWN BY: \_\_\_\_\_ DATE: \_\_\_\_\_ DRAWING: \_\_\_\_\_