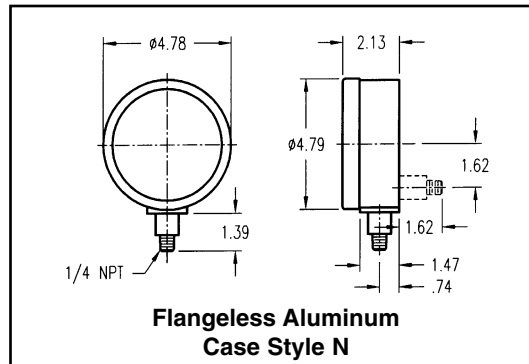
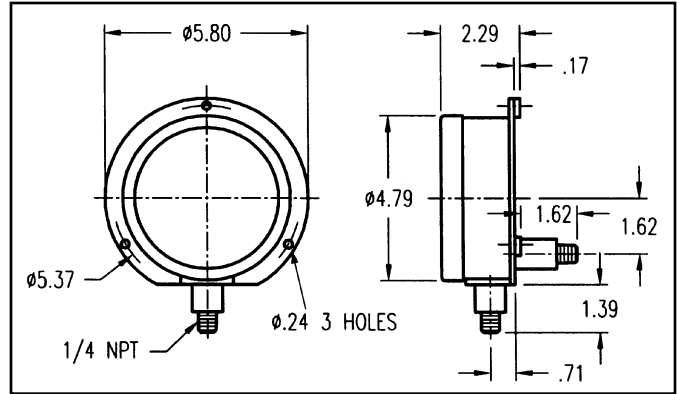


DIAL - White Aluminum, Black Markings
WINDOW - Glass
POINTER - Black Aluminum, Slotted Adjustable
SOCKET - Brass
BOURDON TUBE - Phosphor Bronze C Tube to 1000 psi
CONNECTING JOINTS - Silver Brazed
MOVEMENT - Bushed Stainless Steel Rotary
ACCURACY - 1.0% ASME B40.1 Grade 1A
CONNECTIONS - 1/4" or 1/2" NPT, Lower or Lower Back
FULL CONFORMANCE FED. SPEC GG-G-76

Back Flange Aluminum - Case Style B



QTY.	CAT. NO.	DIAL DIA.	CASE STYLE	RANGE	TAG
	4AG-1	4 1/2"			
	4AG-1	4 1/2"			
	4AG-1	4 1/2"			
	4AG-1	4 1/2"			

COMBINATION		
RANGE	GRADUATIONS	FIG. INTERVAL
15 & 35'	0.2" & 0.5'	3 & 5'
30 & 70'	1 & 1'	5 & 10'
50 & 116'	1 & 2'	10 & 10'
60 & 140'	1 & 2'	10 & 20'
100 & 231'	2 & 5'	10 & 25'
150 & 345'	5 & 5'	25 & 20'
200 & 460'	5 & 5'	20 & 50'
300 & 690'	5 & 10'	25 & 50'

CUSTOMER _____
 PROJECT _____
 ENGINEER _____
 PRO or P.O. NO. _____



WEISS INSTRUMENTS, INC.
 HOLTSTVILLE, NEW YORK 11742

DESCRIPTION:

4 1/2" Industrial Pressure Gauge
Series AG-1

DRAWN BY: _____ DATE: _____ DRAWING: _____