



HOLTSVILLE, NEW YORK 11742
 631-207-1200 • FAX: 631.207.0900
 www.weissinstruments.com

Project Name: _____

Location: _____

IDN# _____ Quantity: _____

Catalog# _____

CAT NO. **XWA11V-KIT**

Walk-in Temp/Door Alarm and Light Manager

The total walk-in solution for Food Safety and Energy Savings...

Operators can be certain that the temperature inside their walk-in stays in the safe zone by indicating either a High or Low Temperature condition with a visual Alarm and Pulsing Buzzer. To prevent false alarms a built-in adjustable delay is included. The temperature probe can be extended up to 300 ft. for large or multiple units. An open door alarm keeps the cold inside where it belongs. The XWA meets the new '08 Federal Standards for Walk-in's (Sec. 312).

With the cost of energy not going down anytime soon, the Light Management System will automatically turn the lights ON when you open the door and the "AUTO-OFF" feature shuts off the lights after an adjustable time delay. That, in combination with the door open alarm, solves the two biggest energy wasters, leaving the lights on and the door open!

Accurate digital temperature indication, with "product sense" display update, reflects product temperature response, instead of fluctuating air temps.

KIT INCLUDES:

- Hi/Low temperature alarms w/delays
- Lighting management - Auto on/Auto off
- Door open alarm w/magnetic door switch
- Range -40/230°F
- 8ft. probe
- Battery back-up
- Loud buzzer
- Pre-wired
- Wall Mounting Box
- Saves energy

ALARM CODES

- P1** Probe Problem
- HA** High Temp Alarm
- LA** Low Temp Alarm
- dA** Door Open Alarm
- Pan** Panic Alarm
- DEF** Unit in Defrost
- EA** External Alarm



APPROVALS:

DATE:

OVERVIEW

The product consists of a .5" LED display, adjustable high and low temperature alarms, door opening alarms and automatic light management. The unit has a 6 keypad interface, consisting of a SET key, Up and Down keys, Low and High alarm keys, and a Light key. Keypad is password protected to prevent tampering. The unit has the ability to turn off when extended loading occurs. All settings include appropriate delays to prevent false alarms.

MOUNTING

The product is mounted into a wall mounting box: 6.30"W x 3.78"H x 3"D.

SENSOR

The XWA includes one 8 ft. NTC Thermistor temperature probe, which can be extended up to 300 ft. using standard thermistat wire. Probe to be placed away from the door and away from lights in a manner not to be subject to damage or erroneous temperature readings.

POWER

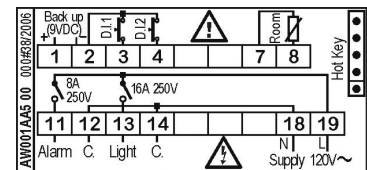
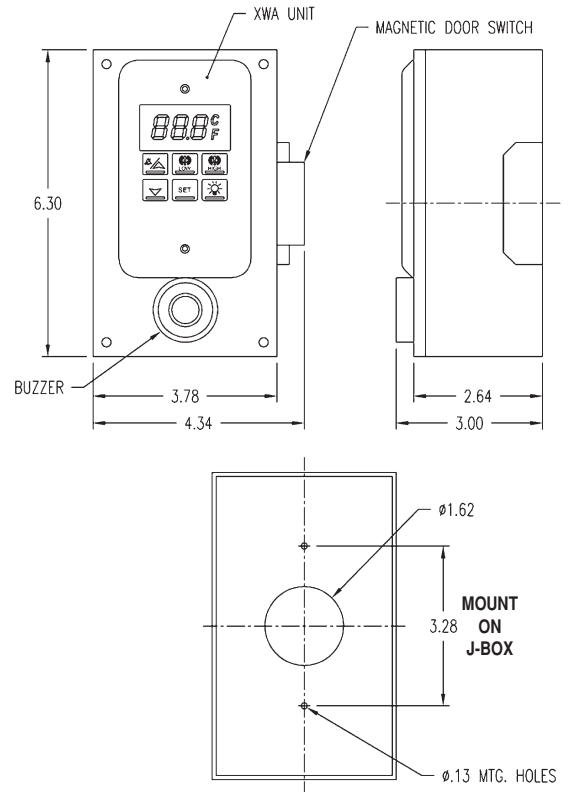
The XWA is powered by 120Vac (+/-10% 60Hz) and has a relay output of 8A for external alarm devices such as strobe light or phone dialer. It has a 15A relay for the internal lights of the walk-in. The XWA has a 9V battery backup to power the device for up to 36 hours during a power failure. Battery not included. Unit is UL/NSF listed.

INPUTS

The XWA includes a Digital input (voltage free) to accept the magnetic door switch. It has a 2nd Digital Input to accept an optional internal panic alarm switch, gas leak detector or current transformer switch. The current transformer switch indicates a defrost is occurring or if an evaporator fan or compressor fails.

LIGHT CONTROL

The light control feature automatically turns on the lights when the door is open and automatically turns-off the lights 15 minutes after closing the door. The auto-off light feature is adjustable to customer requirements. The light can also be turned on from the keypad on the front of the unit. The XWA meets Federal Energy Independence Act Sec. 312 "Walk-in Coolers and Walk-in Freezers."



ACCESSORIES



Phone Dialer - iDial



CT Current Transformer - H300



Gas Leak Detector - MGS



Strobe Light - STR



Panic Alarm Switch - PAN

SPECIFICATIONS SUBJECT TO CHANGE WITHOUT NOTICE

WARRANTY
ONE YEAR



HOLTSVILLE, NEW YORK 11742
 631-207-1200 • FAX: 631.207.0900
 www.weissinstruments.com

Project Name: _____

Location: _____

IDN# _____ Quantity: _____

Catalog# _____

CAT NO. XR30CX – XR70CX

Refrigeration Controllers

Controls for Medium and Low Temp Applications

The Dixell CX controls for Refrigeration replace the functions of mechanical thermostats, defrost time clocks, fan control and alarms, in a compact unit that displays the temperature and appliance status in an easy to read LED Display. Fully programmable to meet all Medium and Low temperature applications, the CX Series Controls are UL and NSF listed and operate with line voltage power (120Vac or 230Vac) and large feature internal relays (16A) to ensure a long and reliable operation.

The serial communication enables the CX controls to connect to XWEB Monitoring Systems and other open systems using ModBus-RTU. Multiple temperature, Digital Inputs and up to four relay outputs allow the CX Controls to meet various refrigeration applications.

OUTPUTS (XR70CX) up to 4

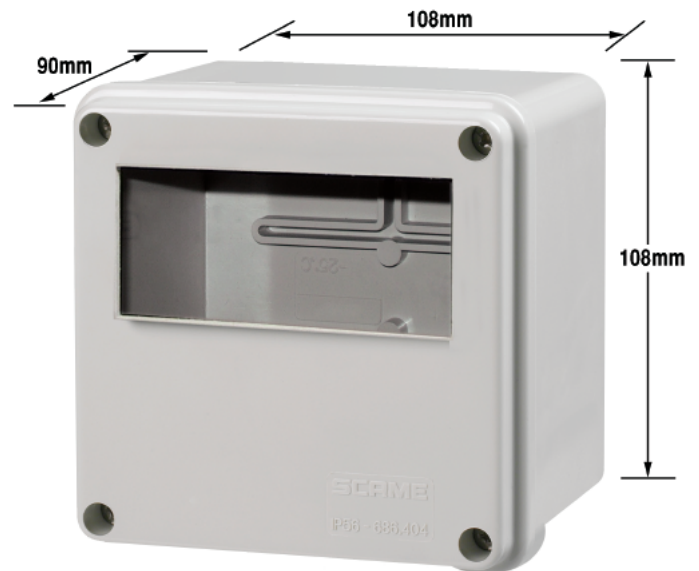
1. Compressors/Solenoid Valve (one or two)
2. Defrosts (electric or hot gas, one or two)
3. Evaporator Fans
4. Alarm or
Lights or
Condenser fans or
Anti-Sweat Heaters

OUTPUTS (XR30CX) up to 2

1. Compressors/Solenoid Valve w/Off Cycle Defrost
2. Alarm or
Lights

PROBE INPUTS

1. Room (controlling)
2. Evaporator (end defrost/control fans)
- 3/4. Opt. Display/Condenser/2nd zone



MODEL RC

APPROVALS:

DATE:

OVERVIEW

The product has .5" LED temperature display and up to 8 status icons on the front display. The unit shall have a 6 keypad interface, consisting of a Up, Down, SET, DEF, Light and ON/OFF or ES Mode (Energy Savings) The control can display in either °F or °C and have a range of -58°F to 230°F (°C)

MOUNTING

The product is panel mounted in a 29 x 71mm panel hole or wall mounted in a C-Box 108 x 108 x 90mm enclosure.

SENSOR

The product shall have up to 2 NTC Thermistors (XR30CX) or up to 4 (XR70CX) temperature probes, which can be extended up to 300ft. The Room probe (controlling probe) is to be placed typically in the return-air, or discharge air, and the Evaporator probe to be mounted in the coldest spot of the evaporator. Optional third and fourth probes can be used for display or condenser.

POWER

The product shall be powered by 120Vac or 230Vac (+/-10% 50/60Hz).

INPUTS

The CX control shall have one Digital Input (open/closed circuit) that is typically used with a magnetic door switch to indicate door openings.

OUTPUTS

The XR30CX has two relay outputs. Compressor (or solenoid valve) rated at 16FLA/96LRA plus a second relay (8A) for alarm, light or fan.
 The XR70CX has four relay outputs. Compressor 16FLA/60LRA, Defrost 8A, Fan 5A, plus a fourth 8A relay, that can be configured as: Alarm/Light/2nd Comp/2nd Def/Anti-Sweat heater.

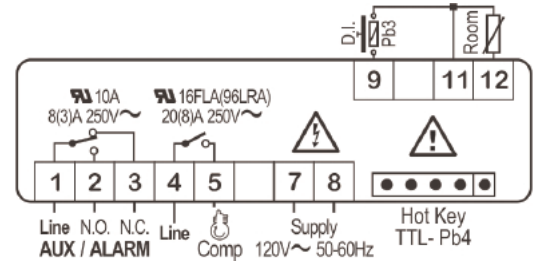
COMMUNICATIONS

The Product has a TTL Serial port. A XJ485CX adaptor is required. The two way communication protocol is MOD-BUS-RTU. The Control has a settable serial address of 1-247. MOD-BUS-Comments, Registers and Hex Codes are free and open (available on request.)

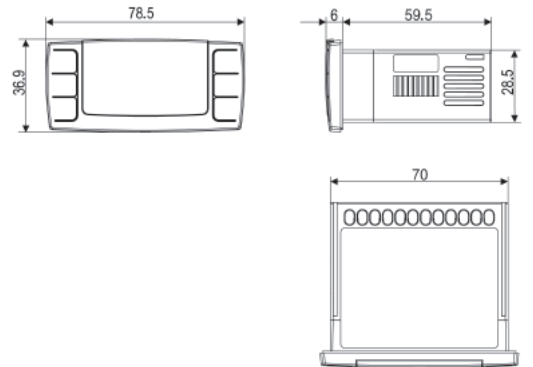
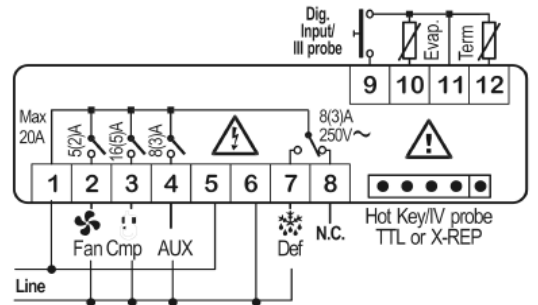
PROGRAMMING

The control is pre-programmed for Medium temp applications (XR30CX), and Low Temp applications (XR70CX). There are 2 levels of parameters that are password protected. The Keyboard can also be locked. A Hot Key flash memory device can upload or download a program to the unit. The program shall remain in internal memory without power.

XR30CX



XR70CX



Dimensions in mm.

SPECIFICATIONS SUBJECT TO CHANGE WITHOUT NOTICE

WARRANTY
ONE YEAR