



HOLTSVILLE, NEW YORK 11742
 631-207-1200 • FAX: 631.207.0900
 www.weissinstruments.com

Project Name: _____

Location: _____

IDN# _____ Quantity: _____

Catalog# _____

CAT NO. **XJP60D**

I/O Probe Monitoring Modules

Record up to 6 temperatures (PSI or %RH)

The XJP60D is a network module that can accept up to 6 NTC Temperature inputs or 4...20mA and 0/10V analog inputs from Pressure, Humidity or other inputs. The unit transfers the data to an XWEB over a RS485 Network.

The serial communication enables the XJP60D to connect to XWEB Monitoring Systems and other open systems using ModBus-RTU.

The unit includes 3 Digital Inputs typically used for Door Alarms using a magnetic door switch, or a CT to monitor other events. Alarm setpoints with delays can be assigned to each probe.

Applications include Monitoring of:

- Walk-in Coolers and Freezers
- Reach-in's
- Food Warming Cabinets
- A/C and Outdoor temps
- Pressure and Humidity
- Level or flow (with any 4...20mA or 0/10V output)

Probe Options:

- 18NB-NTC-1.5m
1/4" x 1/8" Nickle Plated Brass 5Ft.
- XH10P
4...20mA output 10-90% RH
- PP11 -7/160 psi
- PP30 0/435 psi
4...20mA output



MODEL RC

APPROVALS:

DATE:

MODEL XJP60D OVERVIEW

The Monitor has three status LED's: Power, Rx/Tx and Alarm. The Monitor has either 6 NTC probes or 6 4...20mA or 0/10V inputs and 3 Digital inputs. Alarm Setpoints with delays can be assigned to each probe. It shall have a RS485 Connection.

MOUNTING

The product is 4DIN RAIL or wall mounted in a DinBox and shall have IP65 protection from the front.

SENSORS

The product has up to 6 NTC Thermistor temperature probes, range of -58/230°F, which can be extended up to 300ft. using standard thermostat wire or 6 4...20mA or 0/10V inputs.

POWER

The product shall be powered by 24Vac and use a class 2 cULus transformer.

INPUTS

The control shall have 3 Digital inputs (open/closed circuit) that is typically used with a magnetic door switch to indicate door openings or a CT to record events such as defrost or fan failure.

OUTPUTS

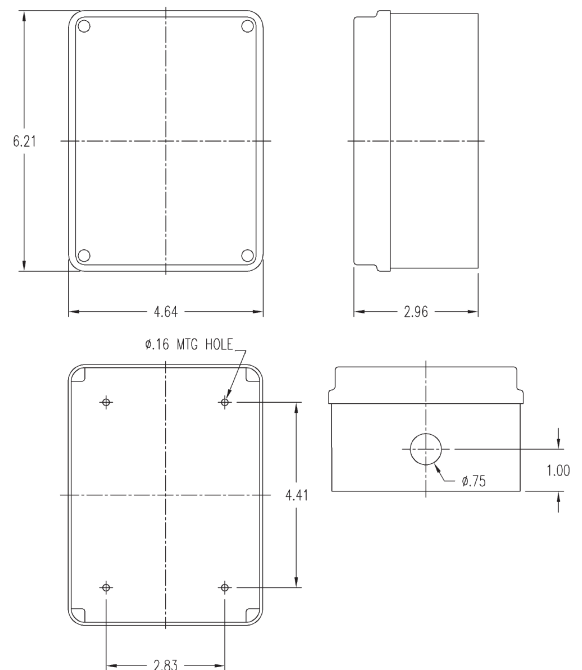
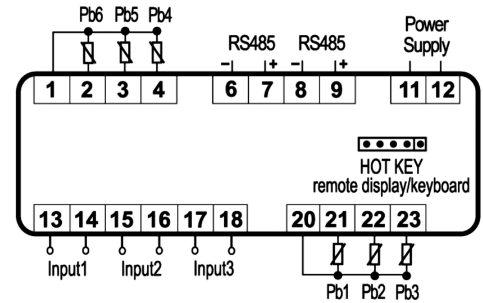
The XJP60D has a RS485 Serial communications output to be connected to a XWEB System.

COMMUNICATIONS

The Control shall have a RS485 Serial Port. The two way communication protocol shall be MOD-BUS-RTU. The Module shall have a settable serial address from 1 to 247. MOD-BUS Comments, Registers and Hex Codes are free and open, and are available on request.

PROGRAMMING

The control is pre-programmed and pre-addressed for NTC temperature recording applications. The temperature shall be recorded every 15 minutes. There shall be 2 levels of control parameters that are password protected. A Hot Key flash memory device can upload or download a program to the unit. The program shall remain in internal memory without power.



SPECIFICATIONS SUBJECT TO CHANGE WITHOUT NOTICE

WARRANTY
ONE YEAR