



HOLTSVILLE, NEW YORK 11742
631-207-1200 • FAX: 631.207.0900
www.weissinstruments.com

Project Name: _____

Location: _____

IDN# _____ Quantity: _____

Catalog# _____

CAT NO. **XJDL**

Digital Data Logger USB to .TXT

Record up to 4 Temperatures and Store up to 1 Year

Operators can take the guesswork and human error out of HACCP recording with the simple to use XJDL from Dixell, a leading supplier of electronic controls and monitoring systems.

Record up to 4 temperatures and 4 events, such as door openings or defrost cycles on a single unit. Internal 24 hour clock maintains the time up to 48 hours without power. Data transfer to a PC is accomplished with ease using a standard USB drive to a .TXT file that can be uploaded to Excel®.

The XJDL will record your HACCP data and store it for up to 1 year. A built-in dry contact relay can be used for audible or visual alarms, phone dialer, BMS or security system.

KIT INCLUDES:

- (4) 8 ft. NTC probes included -40/230° F&C
- Record every 15 minutes and store for up to 1 year
- Download .TXT file to USB key/Upload to any PC & Excel®
- Hi & Low Alarm setpoints with dry contacts SPDT
- 4 door switch inputs
- 24V Plug-in transformer
- Wall mounting box

DATE	PB1(F)	PB2(F)	PB3(F)	PB4(F)
12/12/2008 15.00	36	37	-5	-2
12/12/2008 15.15	32	36	-2	-1
12/12/2008 15.30	34	35	-1	0
12/12/2008 15.45	37	38	-3	2
12/12/2008 16.00	39	38	-4	4
12/12/2008 16.15	40	39	-5	5
12/12/2008 16.30	41	40	-4	3
12/12/2008 16.45	42	40	-2	0
12/12/2008 17.00	42	41	-1	0
12/12/2008 17.15	43	41	0	-2
12/12/2008 17.30	44	39	2	-4
12/12/2008 17.45	44	39	4	-5
12/12/2008 18.00	41	37	-1	-2
12/12/2008 18.15	36	37	-3	-1
12/12/2008 18.30	32	36	-5	0
12/12/2008 18.45	34	38	-3	2

KIT OPTIONS:

- MDS Magnetic Door Switch
- iDial Phone Dialer
- XH10P Humidity Probe
- Battery Back-up
- PT1000 -148 – 999° F&C



OPTIONAL
XH10P Humidity
Probe



MODEL RC

APPROVALS:

DATE:

MODEL XJDL OVERVIEW

The product consists of a dual time & temperature LED display, an automatic data and event recorder, adjustable high and low temperature alarms, and four event recorders. The unit has a 5 keypad interface consisting of an Up, Down, Probe, Set, and DoL (download) Key. The unit has the ability to record up to 4 NTC/PT1000 temperature probes or 3 temperature and 1%RH plus 4 Digital Inputs for event recording.

MOUNTING

The unit can be wall mounted with a remote wall mount keyboard.

SENSORS

The product has up to 4 NTC Thermistor temperature probes, or 3 temperature probes and 1 %RH probe, which can be extended up to 300 ft. using standard thermostat wire. Probe to be placed away from the door and away from lights in a manner not to be subject to damage or erroneous readings. Optional PT1000 probes.

POWER

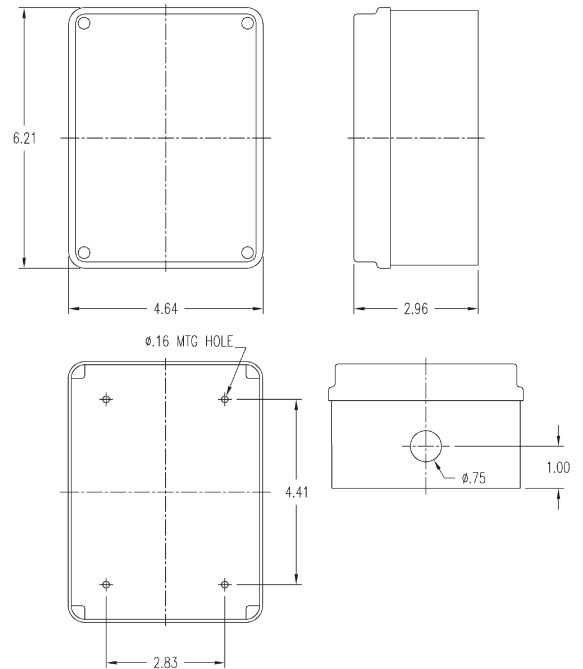
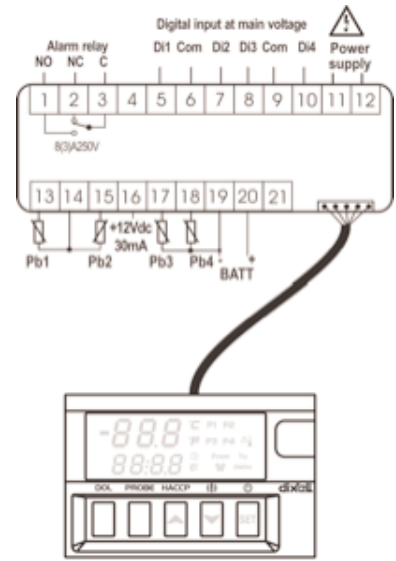
The product is powered by a 24Vac (+/-10% 60Hz) plug-in transformer (supplied). There is a dry contact relay output SPDT 8A for external alarm devices such as a loud 85dB buzzer, strobe light or phone dialer. It has an optional battery back-up to maintain recording for up to 24 hours during a power failure. The unit is NSF listed.

INPUTS

The product will include four Digital Inputs. They accept a magnetic door switch or an optional current transformer switch to indicate a defrost is occurring or if an evaporator fan or compressor fails.

HACCP RECORDING

The recording feature automatically records up to 4 temperatures at a standard interval of every 15 minutes for up to 1 year (or other selectable interval). The internal real time clock will time stamp the recording. A black out alarm feature will record loss of power. The product will download the HACCP and alarm data to a standard USB key as a .TXT file.



SPECIFICATIONS SUBJECT TO CHANGE WITHOUT NOTICE

WARRANTY
ONE YEAR